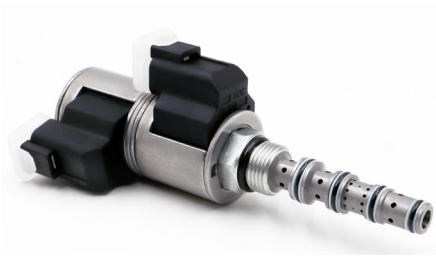




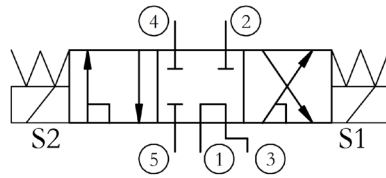
# 电磁换向阀

## Solenoid Directional valve

SV08-5X 系列  
美制插孔—344 bar  
SV08-5X Valve Series  
U.S. Cartridge — 344 bar



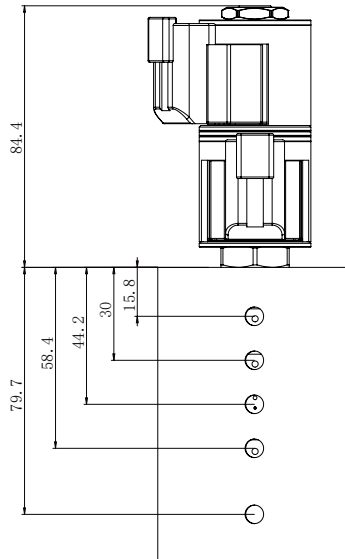
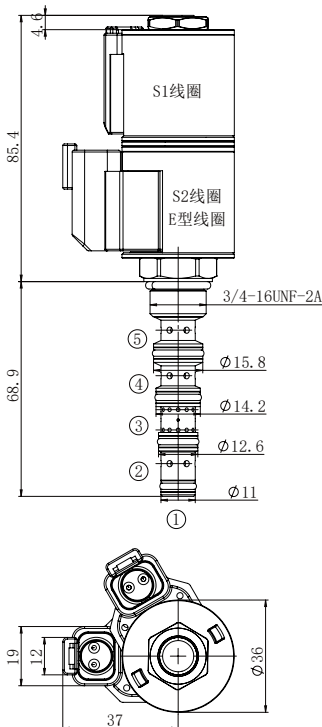
### 原理图 Symbol



SV08-58c  
207 Bar (3000 psi)



### 尺寸图 Dimensions





## 描述 Description

SV08-5X: 三位五通电磁换向滑阀

5-Way,3-Position Solenoid-Operated Directional Spool Valve

直动滑阀式螺纹插装电磁换向阀。

A Cartridge-style Direct-acting Spool-type Solenoid Directional Valve



## 技术特性 Technical Features

· 滑阀经过热处理硬化并经过精密加工, 保证更低的内泄漏及更长的使用寿命。外部零件外表面都是经过镀锌镍处理和防腐蚀处理。所有零部件均采用高强度钢材制造。结构紧凑、体积小。

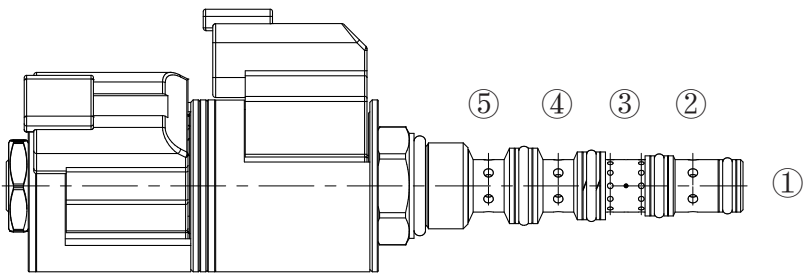
- 额定电磁线圈适合连续工作。
- 可选线圈电压、插头。
- 插件电压可互换。
- 可选 IP69K 防水 E 型线圈。
- 工业通用阀孔。

· Poppet is hardened and ground to guarantee minimal wear and to extend service life. All external surfaces are zinc plated and corrosion-proof. All valve parts are made of high strength steel. Compact size.

- Continuous-duty rated coil.
- Optional coil voltages and terminations.
- Unitized, molded coil design.
- Optional waterproof E-Coils rated up to IP69K.
- Industry-common cavity.



## 工作原理 How it works



断电时, SV08-58C 工作油口之间全部被阻断, 只有负载敏感油口①接通油口③。线圈 S1 通电时, 允许油液从⑤流向②, 以及从④流向③。线圈 S2 通电时, 油液可以从⑤流向④, 以及从②流向③。阀芯换向之后负载敏感油口①始终连接到端口⑤。

When de-energized, the SV08-58C flow between work ports are blocked and load sense at port 1 is vented to port 3. When coil S1 is energized, flow is allowed from ⑤ to ② and from ④ to ③. When coil S2 is energized, flow is allowed from ⑤ to ④, and from ② to ③. Load sense at port 1 is connected to port 5 when spool is in shifted positions.



## 技术参数表 Technical Data

工作压力 Pressure rating	207bar
最大工作压力 Maximum operating pressure	344 bar
最大流量 Maximum flow	13 l/min
最大内泄漏量 Maximum internal leakage	197 cc /min @207bar工作压力 (从油口5流向油口3, 其余油口堵塞) 197 cc /min @ 207bar pressure rating (from port 5 to port 3 with ports 2,4,1 blocked)
线圈额定负载 Coil rated load	可在85%~115%的额定电压范围内连续工作 Work continuously in the rated voltage range of 85%-115%
最小吸合电压 Minimum operate voltage	207bar时为额定值的85% 85% of rated value at 207bar
20°C时的线圈初始电流 Coil initial current at 20°C	E型线圈: 12VDC时为1.7A; 24VDC时为0.85A E-coil: 1.7A at 12VDC; 0.85A at 24VDC
外露零件表面处理要求 External component treatment	Zn/Fe - standard Zn/Ni
安装方向 Orientation	无限制 No restrictions
阀安装扭矩 Valve Installation torque	24.5-27.2Nm
重量 Weight	0.18kg
适用油温范围 Oil Temperature Range	-40° C to 100° C
适用工作介质 Fluids	矿物油或具有润滑性的合成油液 Mineral - based or synthetics with lubricating properties
工作介质粘度范围 Viscosities	7,4 to 420 cSt
测试液压油型号 Oil testing condition	ISO VG 46 cSt
过滤要求 Filtration	20/18/15 ISO 4406 (maximum filtration admitted)
插孔 Cavity	VC08-5

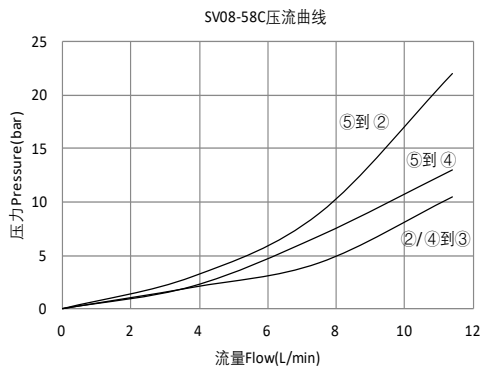


## 性能曲线 Performance

测试条件 Test condition

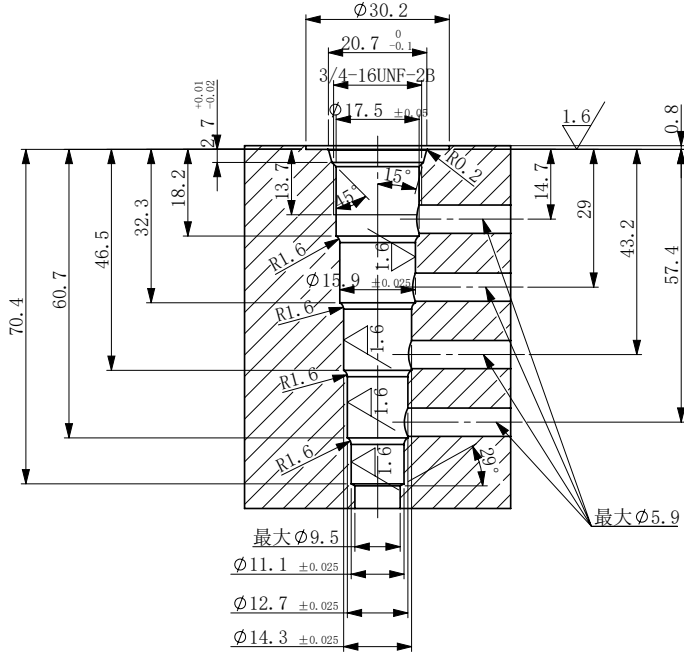
45°C时 46cSt 的油液

46cSt oil at 45°C



# 插孔图 Cavity

VC08-5



可以同时使用一种成型刀具加工上述阀孔  
(除先导钻孔和交叉钻孔外)。

○-这些直径的同轴度要小于0.05;并且孔口平面垂直度要小于0.025。

\*-深度由孔口平面确定。

‡-除非在加工图纸上另行表明,未指明的公差为±0.12。

## 订货编号 Ordering code

**SV08 - 58C - \*\***

阀系列编号 Valve basic code
机能符号 Symbol

线圈选型 Coils Options	
线圈型号 Coils model	电压值 Voltage (v)
01	12
02	20
03	24